

FIBERGLASS HINGED SCREW COVER JUNCTION ENCLOSURES

Application

Designed for indoor or outdoor use to house electronic controls, instruments and components in areas that may be regularly hosed down, are in very wet conditions, or are exposed to corrosive agents. Provides protection from dust, dirt, oil and water.

Construction

- Fiberglass reinforced compression molded polyester.
- Pour in place oil and water resistant gasket.
- Mounting strips molded in.
- Captive screw fasteners.
- Integral panel mounting inserts.
- Stainless steel continuous hinge.

Finish

Light gray fiberglass. optional subpanels are marine grade aluminum.

IS6 Industry Standards

NEMA Type 3R, 4, 4X, 12 & Type 13
UL Listed Type 3R, 4, 4X & 12
CSA Type 3R, 4, 4X & 12
IEC 60529 IP66



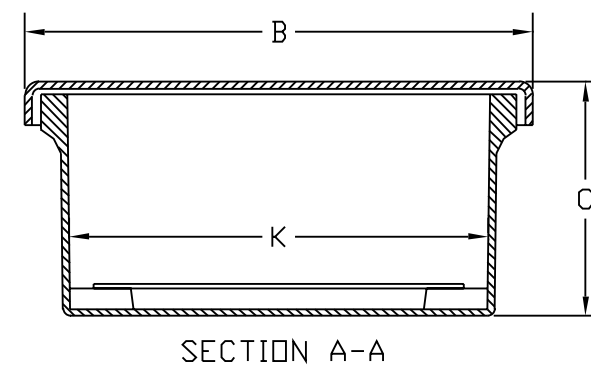
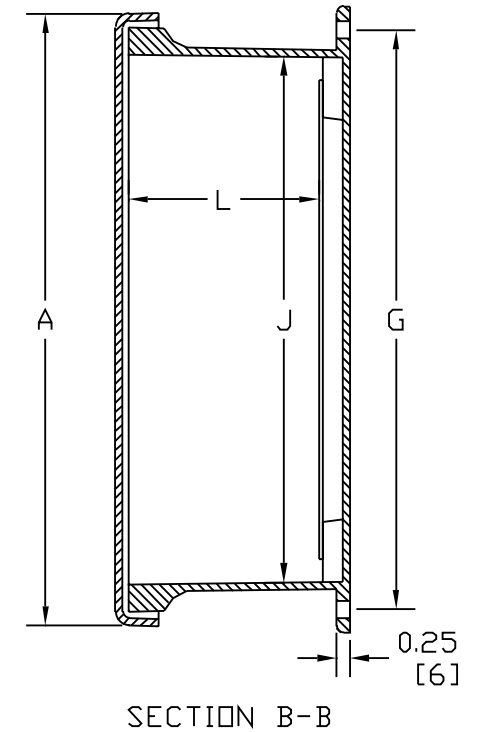
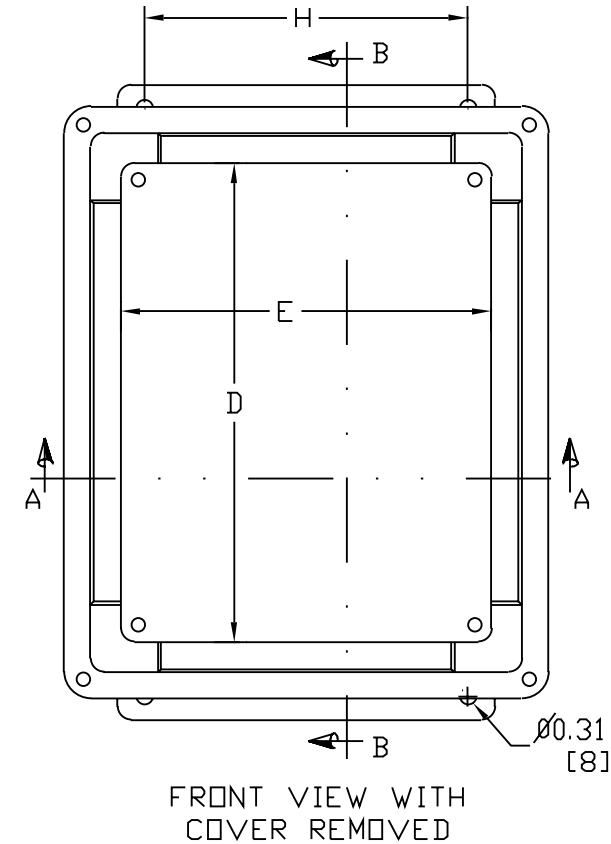
342

Enclosure Product Code F1									
Catalog No.	Height (A)	Width (B)	Depth (C)	Mounting (G)	Mounting (H)	Interior (J)	Interior (K)	Interior (L)	Industry Standard
SCE-604FG	7.39	5.45	4.75	6.75	2.00	5.84	3.85	4.00	IS6
SCE-606FG	7.53	7.53	4.75	6.75	4.00	5.72	5.72	4.00	IS6
SCE-806FG	9.56	7.52	4.75	8.88	4.00	7.73	5.74	4.00	IS6
SCE-808FG	9.38	9.38	4.88	8.75	6.00	7.73	7.73	4.06	IS6
SCE-1008FG	11.35	9.41	4.25	10.75	6.00	9.73	7.73	3.50	IS6
SCE-10086FG	11.38	9.38	5.08	10.75	6.00	9.73	7.73	4.37	IS6
SCE-1210FG	13.41	11.43	5.21	12.75	8.00	11.79	9.80	4.50	IS6
SCE-1212FG	13.38	13.38	6.35	12.75	10.00	11.70	11.70	5.53	IS6
SCE-1407FG	15.75	8.75	6.81	15.00	5.00	14.00	7.00	6.12	IS6
SCE-1412FG	15.48	13.48	6.21	14.62	10.00	13.53	11.55	5.37	IS6
SCE-1614FG	17.47	15.46	6.23	16.75	12.00	15.63	13.60	5.36	IS6
SCE-1816FG	19.61	17.61	8.82	18.88	12.00	17.69	15.69	7.99	IS6
SCE-2016FG	21.68	17.69	8.84	21.25	10.00	19.72	15.72	8.00	IS6

Subpanel (F2)			
Catalog No.	Material	Panel Height (D)	Panel Width (E)
SCE-6P4AL	Aluminum	5.00	3.00
SCE-6P6AL	Aluminum	5.00	5.00
SCE-8P6AL	Aluminum	7.00	5.00
SCE-8P8AL	Aluminum	7.00	7.00
SCE-10P8AL	Aluminum	9.00	7.00
SCE-12P10AL	Aluminum	11.00	9.00
SCE-12P12AL	Aluminum	11.00	11.00
SCE-14P8AL	Aluminum	13.00	7.00
SCE-14P12AL	Aluminum	13.00	11.00
SCE-16P14AL	Aluminum	15.00	13.00
SCE-18P16AL	Aluminum	16.88	14.88
SCE-20P16AL	Aluminum	18.88	14.88

FIBERGLASS HINGED SCREW COVER JUNCTION ENCLOSURES

TECHNICAL DATA



343